

Site Requirements for Commercial and Industrial Energy Storage System (ESS)

Statement: This document provides only brief information. For details, see the user manual. This document is subject to change without notice. All statements, information, and recommendations in this document do not constitute a warranty of any kind, express or implied.

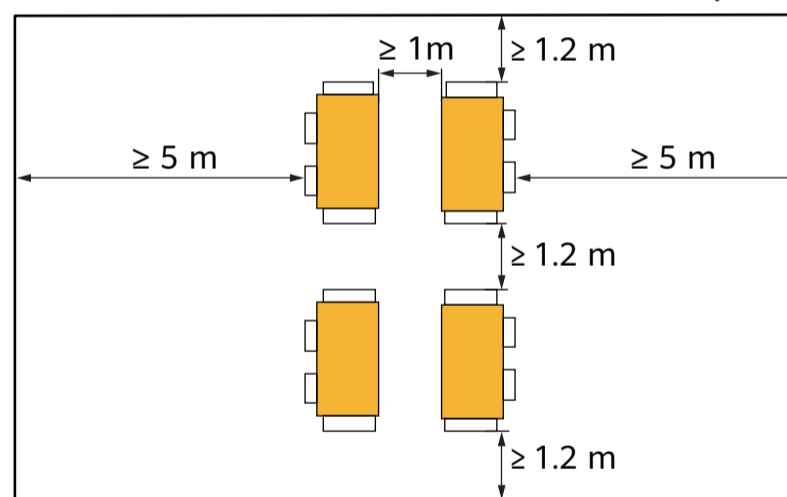
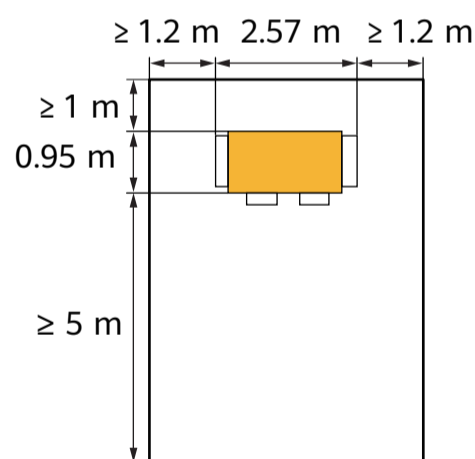
Site Selection Requirements



- The site must be located in an outdoor and well-ventilated environment without explosion risks, and cannot be a low-lying area.
- For safety purposes, the distance between the ESS and residential buildings must be **no less than 12 m**, and the distance between the ESS and densely populated buildings such as schools and hospitals must be **greater than 30.5 m**. If the safety distance requirement cannot be met, fire walls must be installed between the ESS and the buildings.
- The ESS located outdoors must be **at least 10 ft (3.048 m)** away from lot lines, public ways, buildings, combustible materials, hazardous materials, high-piled stock, and other exposure hazards not associated with electrical grid infrastructure.
- There must be no vegetation, especially flammable plants **within 3 m** of the site.
- Transportation to the site should be convenient and **fire suppression facilities should be reliable**.
- The distance between the ESS and the coast must be **greater than 2 km**. You are advised not to use the ESS in an area 500 m to 2 km away from the coast. (If you need to use it, confirm with the vendor or the Company's engineers.) Do not use the ESS in an area less than 500 m away from the coast.

Clearance Requirements

The following figure shows the minimum clearance requirements for installation and O&M. The equipment clearances must also meet the site selection requirements.



Foundation Requirements



- The installation dimensions and load-bearing capacity requirements must be met.
- The local historical maximum rainfall drainage requirements must be met.
- The foundation must be **above the highest water level of that area in history and at least 300 mm above the ground**.
- The horizontal error between the foundation and the contact surface of the ESS should be **less than or equal to 3 mm**.

Other Requirements



- **The total storage and transportation time of the battery packs cannot exceed eight months (starting from delivery).**
- The **tools** meet the insulation level and protection requirements.
- Ensure that **fire fighting facilities** are effective before installation and commissioning.
- The **personnel qualification** meets the requirements of local laws and regulations or standards.