



PV INVERTER MONITORING SOLUTION

Data Collector + Power Meter

PPM DC1_100

PPM P1_120

PPM P3_120

Features

- Export control / Dynamic power control function for grid protection
- MyDeltaSolar APP for inverter monitoring and control
- MyDeltaSolar cloud service or 3rd party platform compatible
- 7 days local data storage prevents data loss
- Wi-Fi, Ethernet and RS-485 communication interface

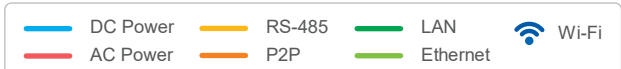
www.deltaww.com



Product Overview

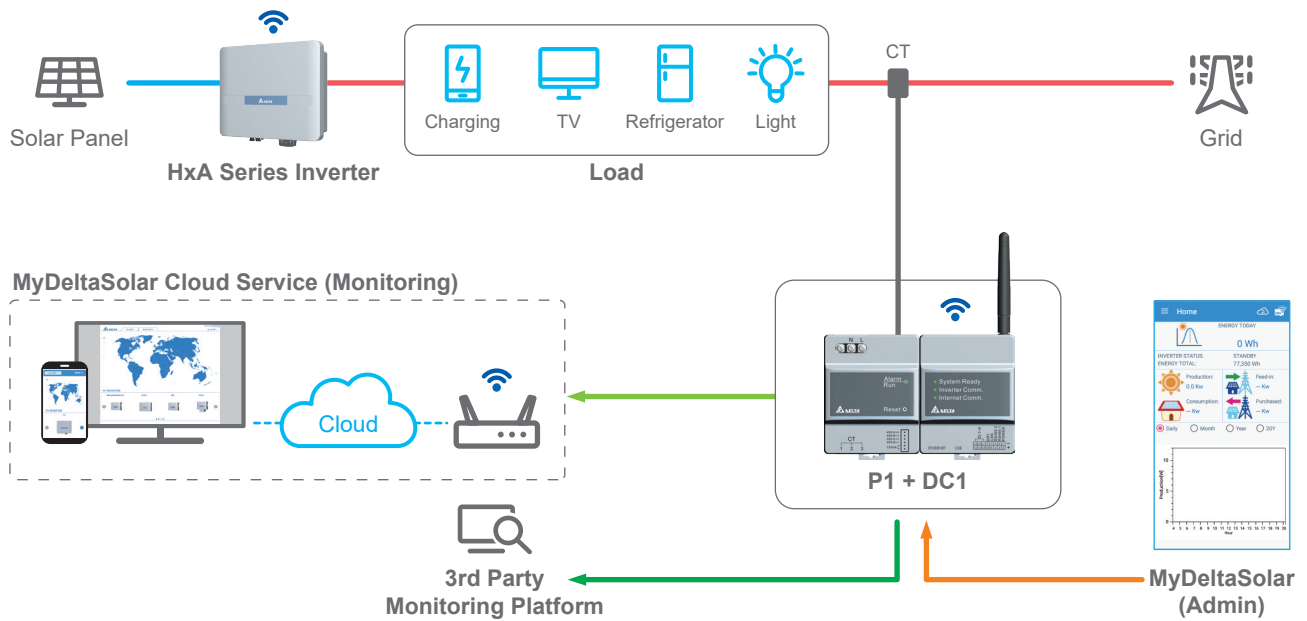
Combination of DC1 and P1 / P3 is designed for monitoring PV inverter and conducting Export control / Dynamic power control application to ensure solar power will feed in base on power company requirement. With its wired and wireless communication interface, DC1 can be connected to either MyDeltaSolar or 3rd party cloud service to realize remote management and optimize the efficiency of the PV system.

Export control / Dynamic Power Control System Architecture

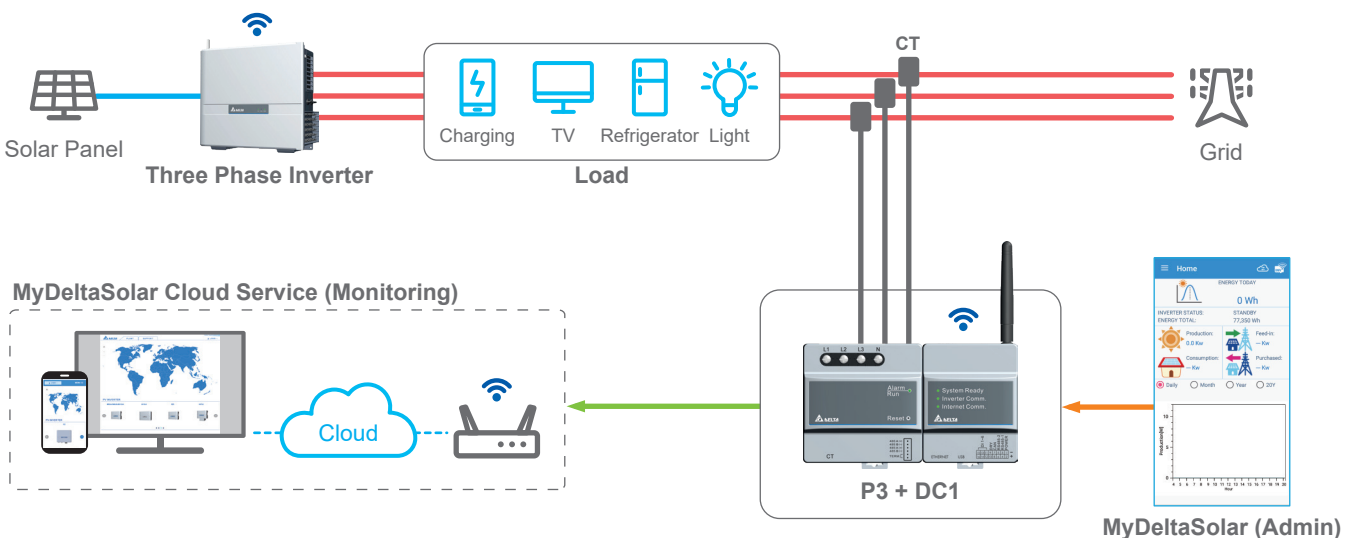


* Only one communication protocol (LAN, Ethernet, Wi-Fi) can be used at the same time.

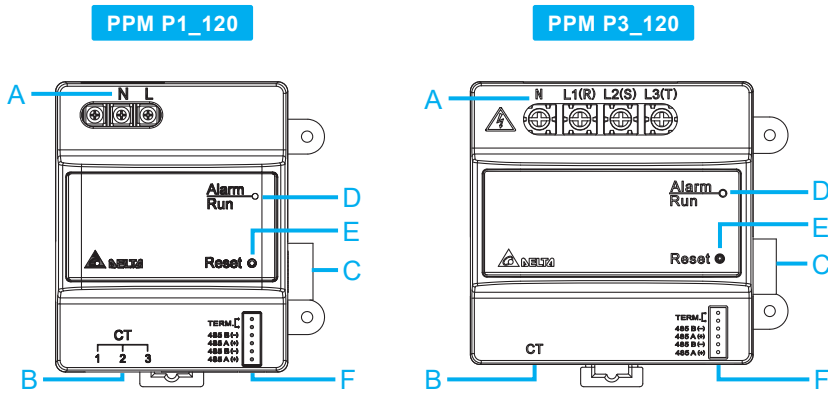
Single - phase



Three - phase

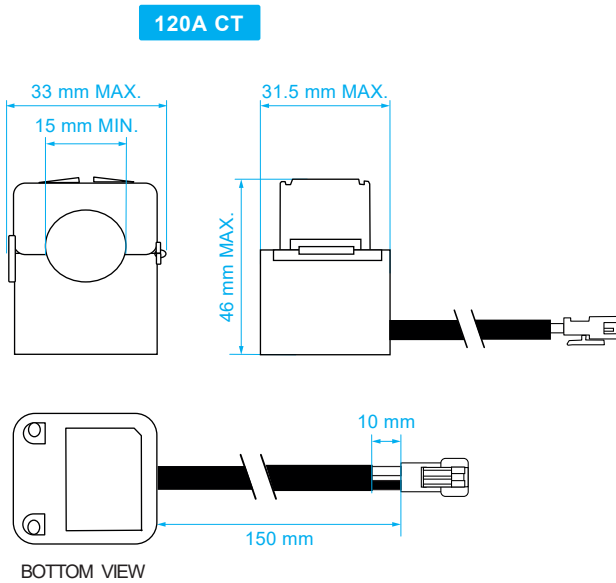
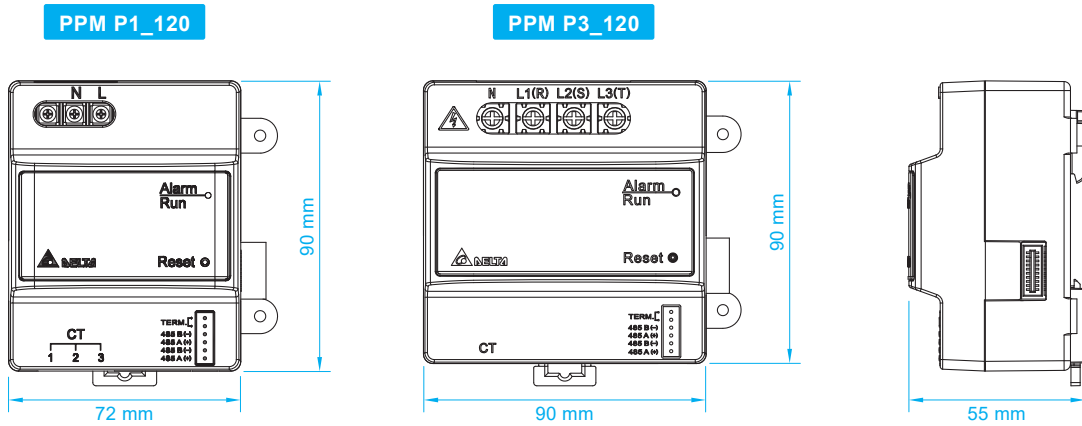


Functions of Parts



A	Mains voltage connector block
B	CT wire connector
C	Connect with Data Collector
D	Meter status LED
E	Reset Button
F	RS-485 port & terminal resistor port

Dimension



Specifications

Model Name	PPM DC1_100
Power	
Operating voltage range	9 Vdc to 25 Vdc (power port, can be supplied from inverter), 5 Vdc (Micro USB)
Power consumption	5 W
Communication	
Wired	RS-485 , Ethernet
Wireless	Wi-Fi Module 802.11a/b/g/n
Certificate	
Safety standard	EN 61010-1, CE compliance
Emission (EMI)	EN 300 328, LP0002, Part 15C, Telec T66
Immunity (EMS)	EN 301 489-1/-17, EN 55024, EN 55032, FCC Part 15B
I / O	
Terminal block	2x power port, 4x RS-485, 2x CANbus, 2x Dry Contact, 6x Digital Input
RJ-45	Ethernet
USB	Data Storage
General	
LED display	System Ready, Inverter Comm., Internet Comm.
Operation temperature	-25°C to 60°C
Relative humidity	30% to 85%
Dimension (W x H x D)	72 x 90 x 55 mm
Weight	160g (with Wi-Fi antenna)

Model Name	PPM P1_120	PPM P3_120
Communication	RS-485	RS-485
Input voltage range	85 Vac - 264 Vac	95 Vac - 277 Vac (L-N)
Nominal voltage	230 Vac	3P4W 220 Vac 3P3W 380 Vac
Frequency	50Hz / 60Hz ± 5%	50Hz / 60Hz ± 5%
Power consumption (with DC1)	7 W	8 W
Current transducer	120 A (standard) 300 A (optional)	
Accuracy	120 A CT : ± 3% or ± 0.3A (under 10A) 300 A CT : ± 3% or ± 0.3A (under 10A)	
Sensing aperture dimension	120 A CT : Φ 15.0 mm 300 A CT : 23.6 mm * 25 mm	
Torque for screw terminal	0.98 Nm	1 Nm
Certificate	EN61010-1, CE Compliance, EN61326	
Weight (without current transformer)	170 g	215 g
Dimensions (W / H / D)	72 mm x 90 mm x 55 mm	90 mm x 90 mm x 55 mm
Ambient temperature in operation	- 20°C to 60°C	- 20°C to 60°C
Ambient temperature during transport / storage	- 30°C to 70°C	- 30°C to 70°C
Operating humidity	30% to 85% (non-condensing)	30% to 85% (non-condensing)
Storage humidity	30% to 85% (non-condensing)	30% to 85% (non-condensing)

* Specifications are subject to change without prior notice

Delta Electronics, Inc.

39 Section 2 Huandong Road, Shanhua District,
Tainan City 74144, Taiwan

TEL : +886 6 505-6565

FAX : +886 6 505-1919

info@deltaww.com



2021 / 04 / 23