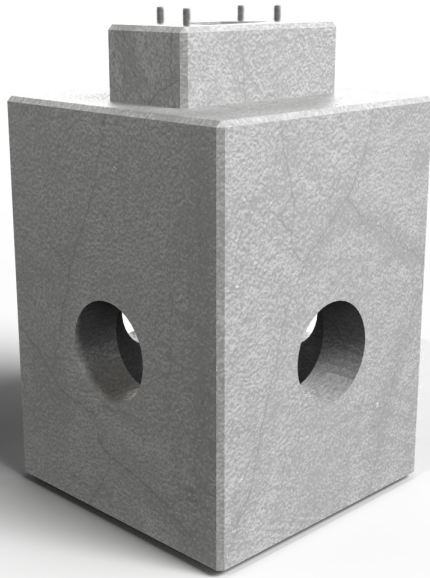
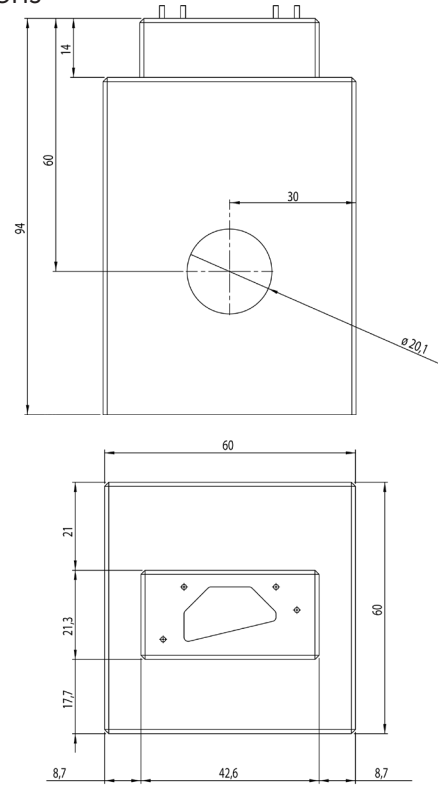


HYC50 foundation

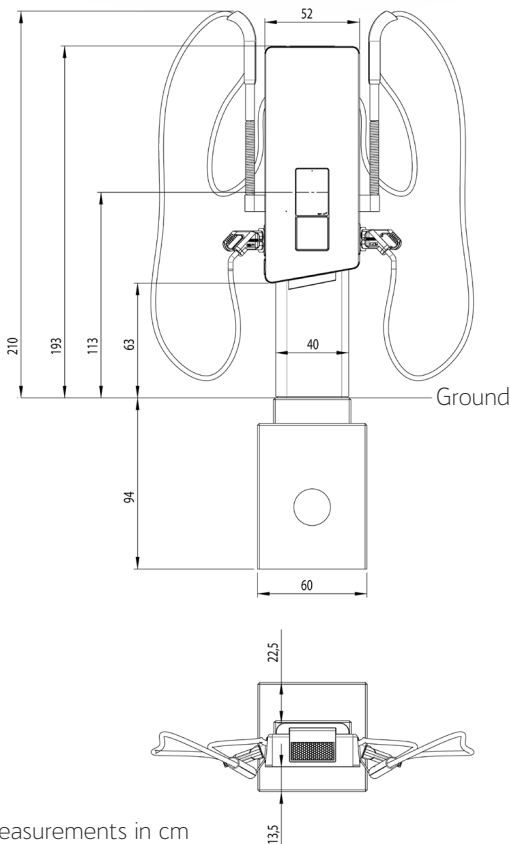


Dimensions



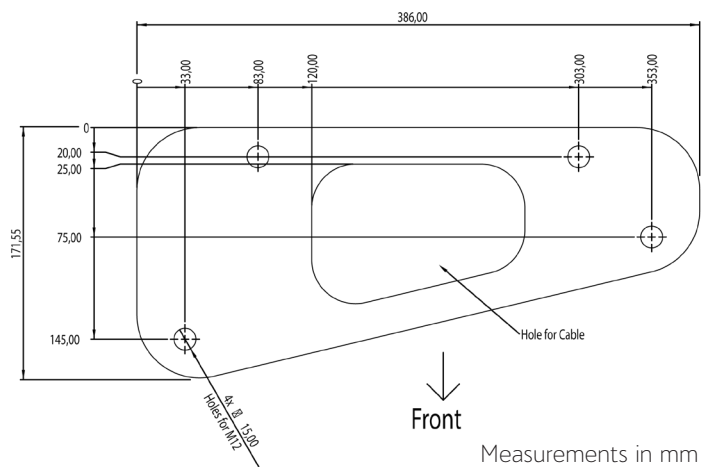
Total weight (including reinforcing steel) = 440 kg

Further dimensions



Measurements in cm

Footprint HYC50 pedestal



Measurements in mm

Product data sheet HYC50 foundation